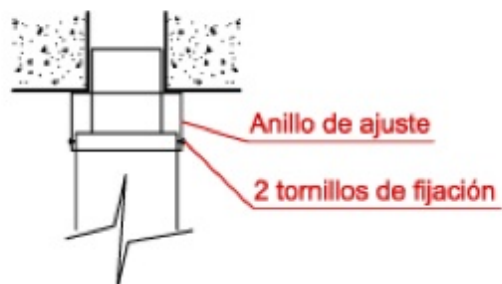
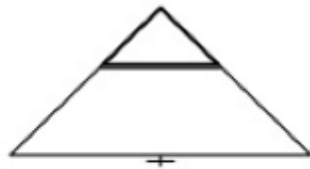
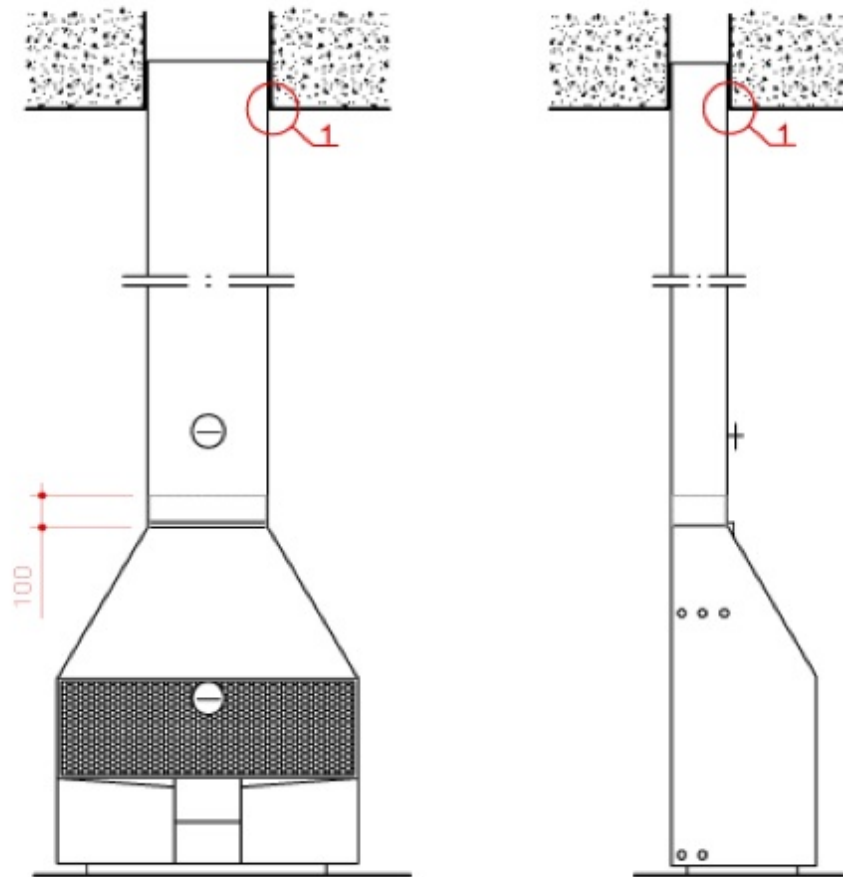




Assembly instructions

The centrepiece, the body, included the combustion chamber (grill and ashes tray) and tube. For installation you must enter the tube inside the exit compartment smoke and lift enough to place the fireplace under the vertical tube and then fit the tube into the fireplace. Must plumb the tube moving all the fireplace lateral or directly. Then, fit the chimney tube in the roof of the cabin. In case the tube section at the entrance to the exit smoke would vary in less (square, round, etc ...), the space between the roof and the change in tube section would be covered with an adjustment ring (look sketch)

CHIMENEA MM (A/9)



1.- Rejuntar tubo

i@dae.es · Rambla dels Països Catalans, 10 Nave 25, Vilanova i la Geltrú · Postal code: 08800, Barcelone · Phone: +34 93.815.74.87

General

Assembly instructions

- The metal fireplace have superior heat as radiate heat along its length
- We recommend put a ceramic hat at the cover (not supplied by DAE fireplaces).
- In case of a pitched roof and vent have North Face, it must exceed 1 m. above the ridge.
- In the event that the housing has two or more story, the smoke tube can be seen on each floor, so that the heat will take in all of them.
- If you want to hide the use of heat tube, it can be coated with construction, leaving a margin of 10 cm. around its perimeter, placing grids on top and bottom to create airflow.
- The chimneys are painted with resistant paint, which means that the paint holds 950 ° C and direct flame, without producing the hang of it. In the first fires are not alarmed by the smoke given off by the fire, because then catalyzes the paint.
- DAE Fireplaces be cleaned with a cloth slightly moistened with water, never with cleaning products wood or leather.
- The fireplace damper have a unique function is to close the tube when not in use, preventing the entry of cold.
- If we put a fireplace in a closed hermetically cabin, the fireplace will not work (leave smoke), since it has no where to catch air for combustion.
- In models that are hood, we suggested that the bricks where the flame directly are refractory.
- In case you have wooden ceiling in the house, it should be isolated by glass wool tube the fireplace in your entrance in the ceiling so it never come into contact wood and metal tube, and place a joint lid ring.
- The minimum distance of a window of the fireplace will, in all cases, of 80 cm. laterally.
- Through these holes will encourage the circulation of air between the two existing sheets (interior and exterior), which helps the conservation of the sheets where the fire impinges directly. In turn, achieves a higher calorific utilization.
- The tubing sections will be a maximum of 2 m. length on all models. If you need longer length would be by junctions.
- The metal chimneys burn always, no one is known to ignore it.
- We recommend cleaning the inside of the flue pipe of the chimney every year.
- The adjusting ring to the ceiling the room can only be placed when the section of the flue fireplace decreases.
- Do not remove the plastic bubble in its entirety until the fire is fully installed, because during the installation might suffer some scratched.