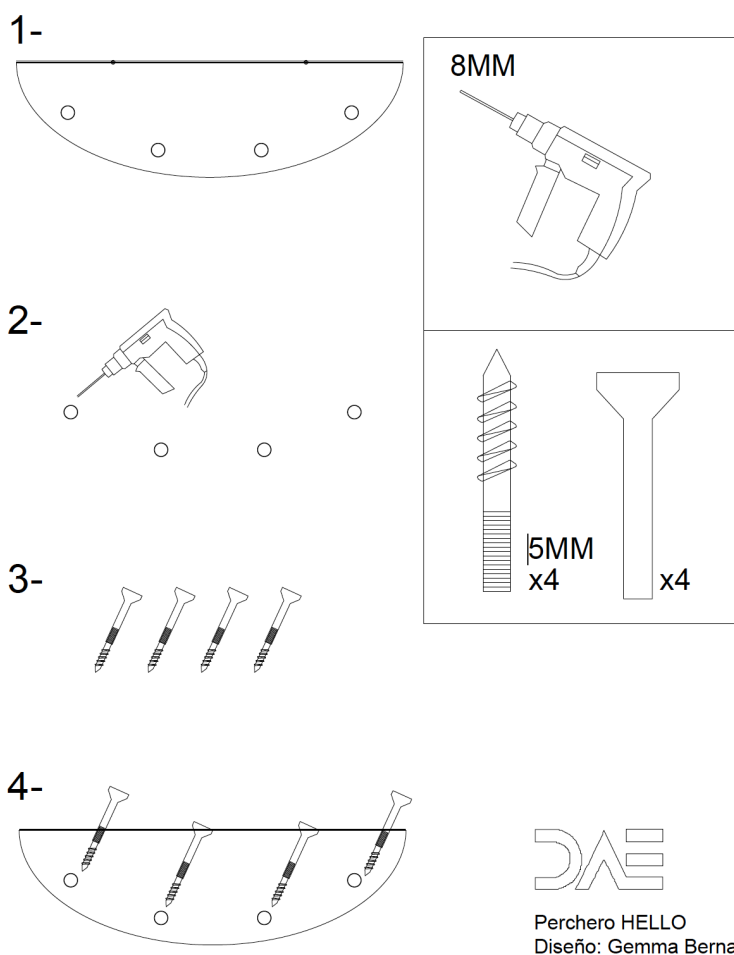




Assembly instructions

- 1- Present, level and mark the 4 holes.
- 2- Drill and place dowels.
- 3- Present and screw
- 4- Screw the four hangers.



i@dae.es · Rambla dels Països Catalans, 10 Nave 25, Vilanova i la Geltrú · Postal code: 08800, Barcelone · Phone: +34 93.815.74.87

General

Assembly instructions

Read these warnings carefully.

This coat rack are designed to be fixed to the wall.

Due to the different types of materials existing today in the construction, we supply the standard wall anchoring screws. Check with the manufacturer of the material for advice. Sometimes the client has had to change it.

The non-use of the products for the purposes that are designed, exempts us from any responsibility.