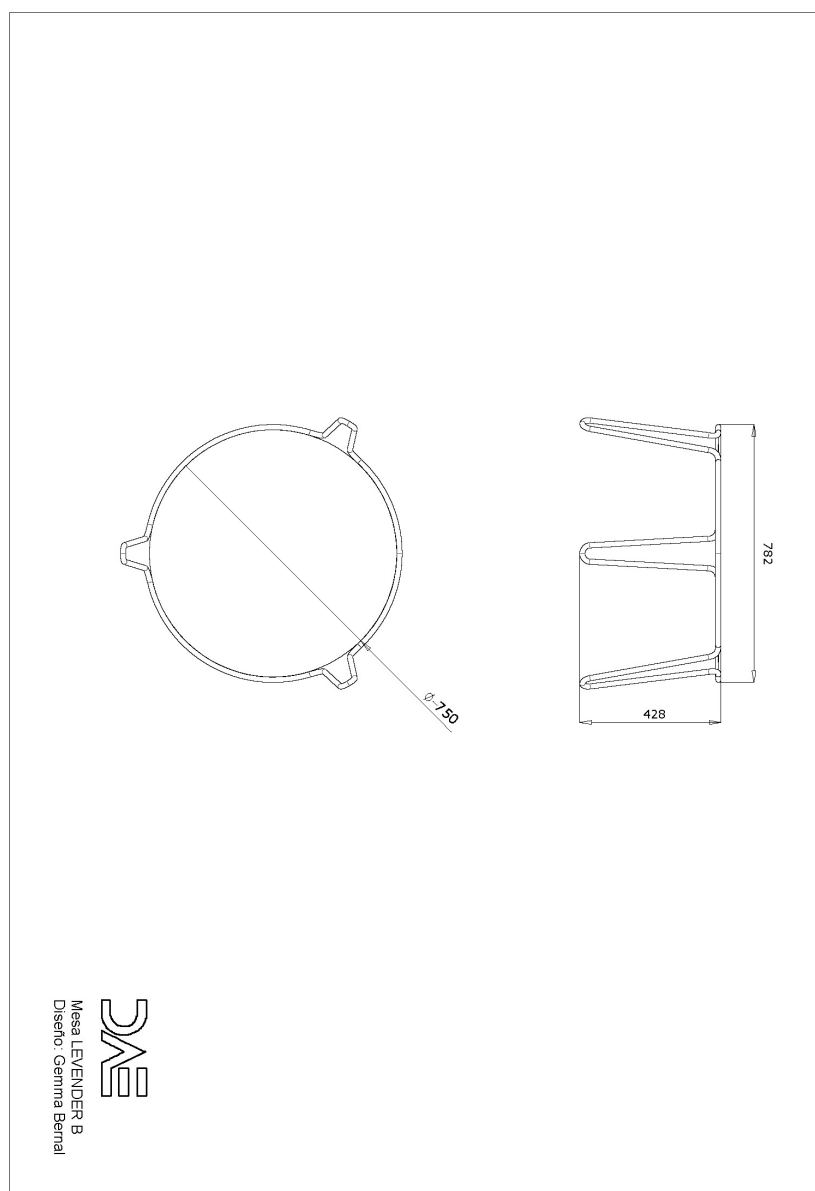




WITHOUT ASSEMBLY



General

Assembly instructions

The non-use of the products for the purposes that are designed, exempts us from any responsibility.