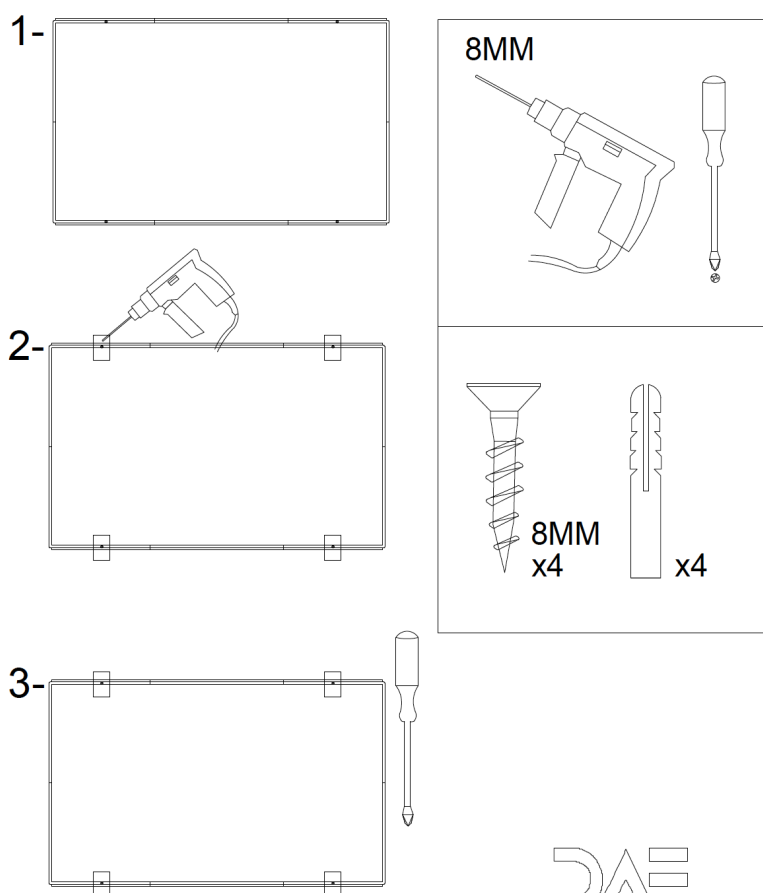




Assembly instructions

- 1- Present, level and mark the 4 holes.
- 2- Drill and place dowels.
- 3- Present and screw.



Estantería WARE 2
Diseño: Clara del Portillo
Alex Selma

General

Assembly instructions