



## Fireplace Cocktail

### General data and commercial

Model: Cocktail  
RS: A/11  
Weight: 85 kg  
Width: 700 mm.  
Height: 3000 mm.  
Long: 570 mm.

### Construction details and material

**UNLESS OTHERWISE INDICATED, THE STANDARD MODEL IS SUPPLIED WITH FOOT TO FLOOR.**

**Fireplace:** Set made of sheet steel polished 2mm thick

**Tube:** Made of sheet steel polished 2mm thick.

**Ashes tray:** Made of plate steel polished 1mm thick.

**Grill:** Made of cast iron GG-20 pearlitic.

**Interior Section:** Made of plate steel polished 4mm thick. Between the inside section and the hood there is an air chamber.

**Protective grid:** Made of perforated steel.

**Painting:** The set is painted with glaze anticaloric-component, with colour matte black, with a thermal resistance of 950 ° C.

### TRANSPORT INFORMATION:

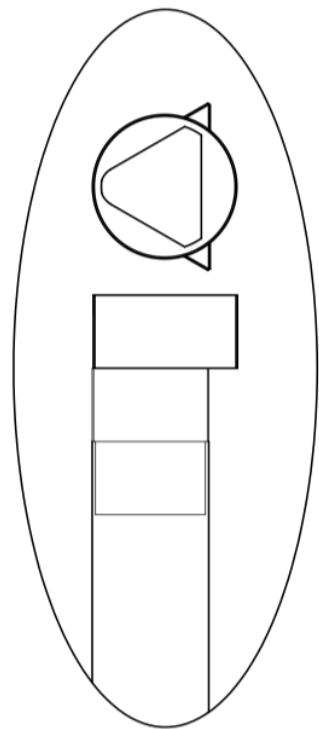
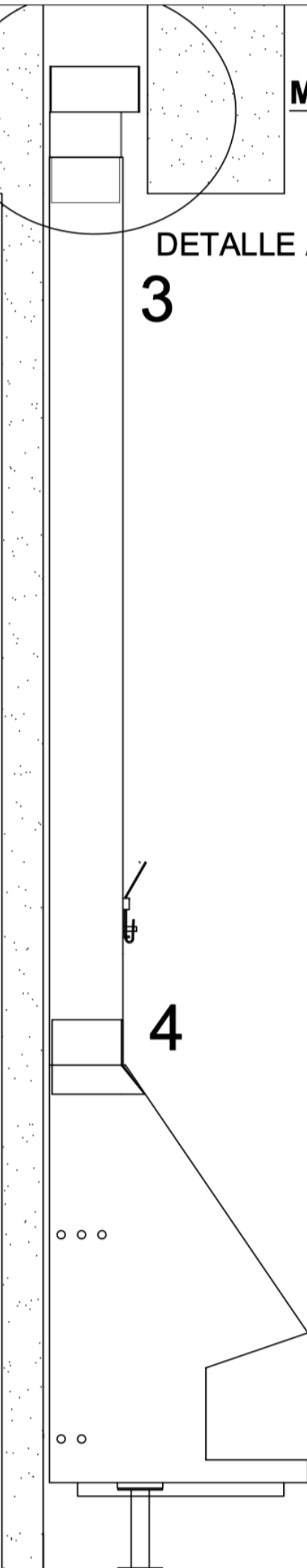
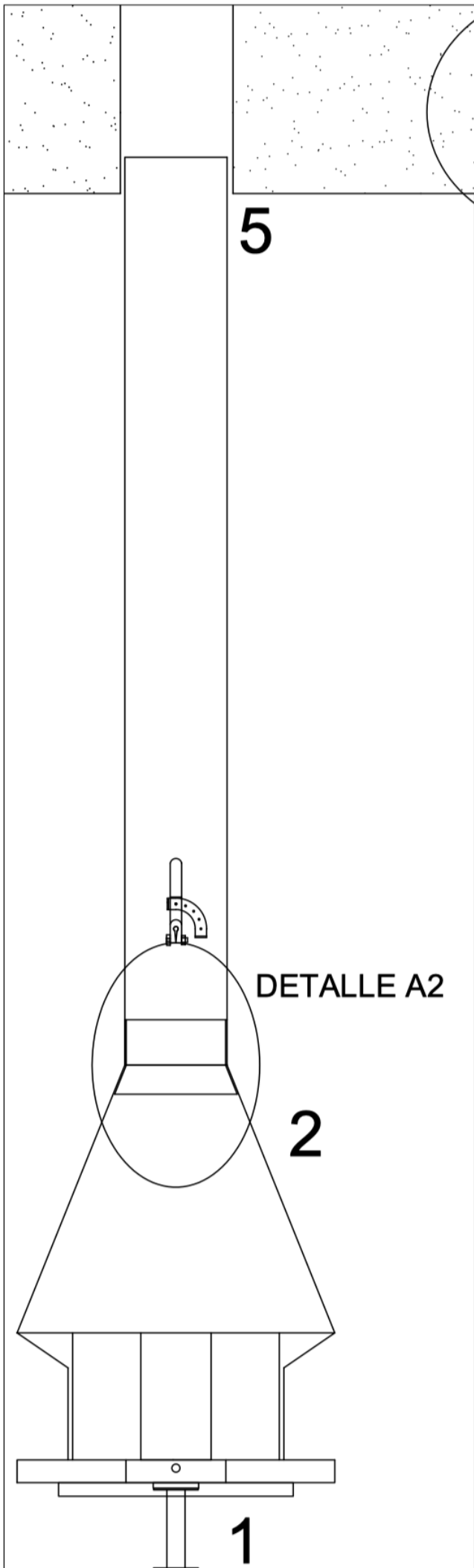
**CAGE:** 3100 x 750 x 600 mm. (Length x Height x Width)

**WEIGHT:** 127 Kg.

**TRUCK METERS:** 3,4 m.

DAE Chimeneas reserves the right to make changes and / or changes in the products and specifications without notice.

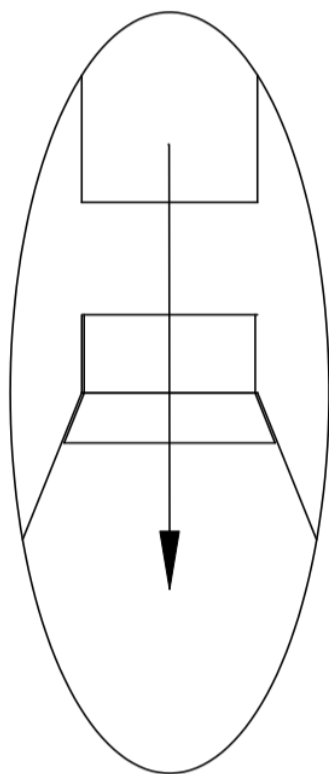
**MONTAJE CON PIE**



DETALLE A1

**3**

DETALLE A1



DETALLE A2

**2**

DETALLE A2

