



Fireplace Colisa

General data and commercial

Model: Colisa
RS: A/20
Weight: 130 Kg.
Width: 1271 mm.
Height: 2900 mm.
Long: 914 mm.

Construction details and material

Fireplace: Set made of sheet steel polished 3 and 10mm thick.

Tube: Made of sheet steel polished 2mm thick.

Ashes tray: Made of plate steel polished 1mm thick.

Grill: Made of cast iron GG-20 pearlitic.

Interior Section: Made of plate steel polished 4mm thick. Between the inside section and the hood there is an air chamber.

Painting: The set is painted with glaze anticaloric-component, with colour matte black, with a thermal resistance of 950 ° C.

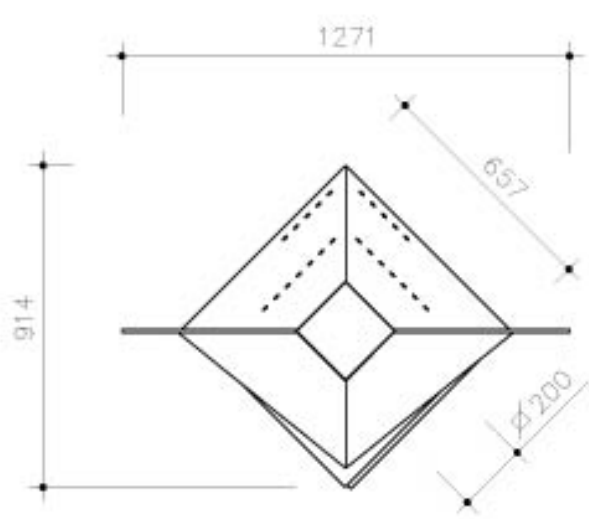
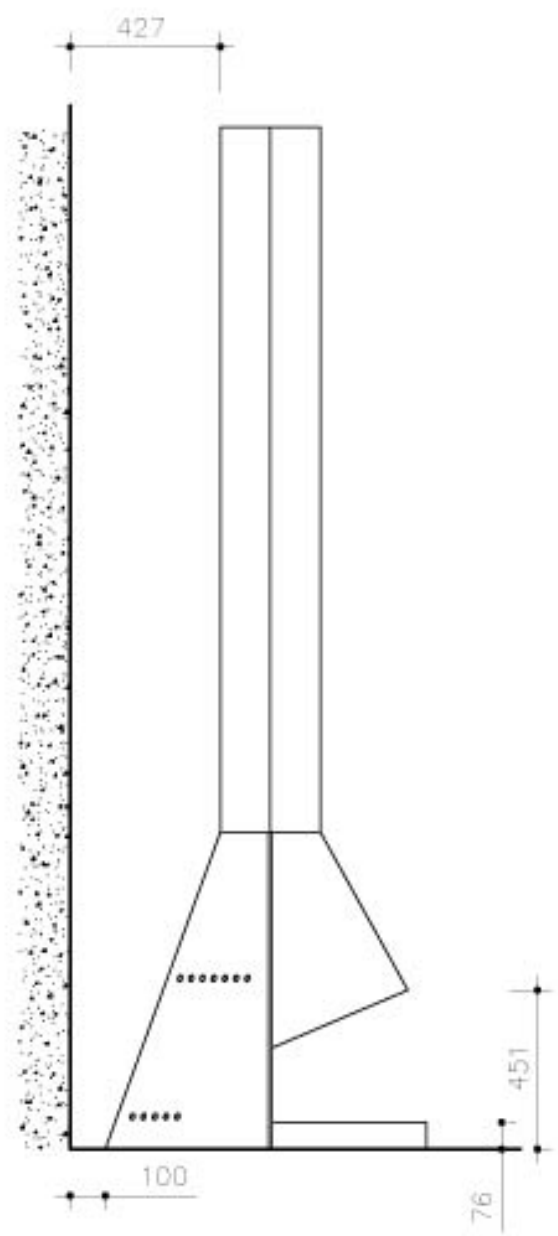
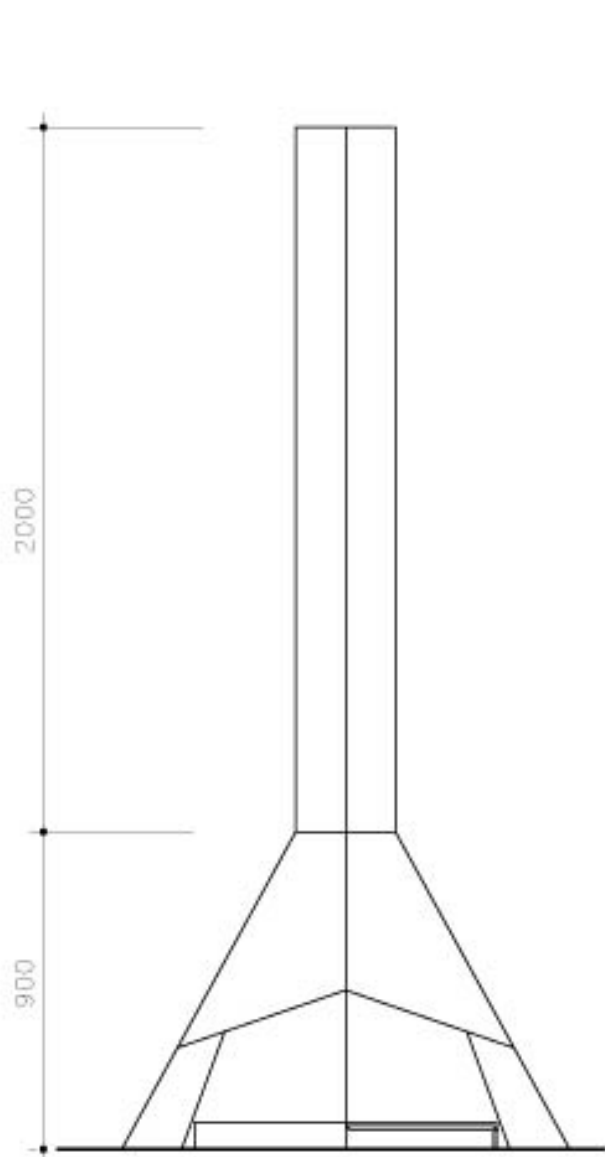
TRANSPORT INFORMATION:

CAGE: 2200 x 500 x 600 mm. (Length x Height x Width) 500 x 1200 x 1200 mm.

WEIGHT: 200 Kg.

TRUCK METERS: 2,6 m.

DAE, SA reserves the right to make changes and / or changes in the products and specifications without notice.



Chimenea COLISA
 Diseño: Cardenal, Juan Carlos